

- Band1, RF-Tx SAW Filter
- Revision 0: June 2013

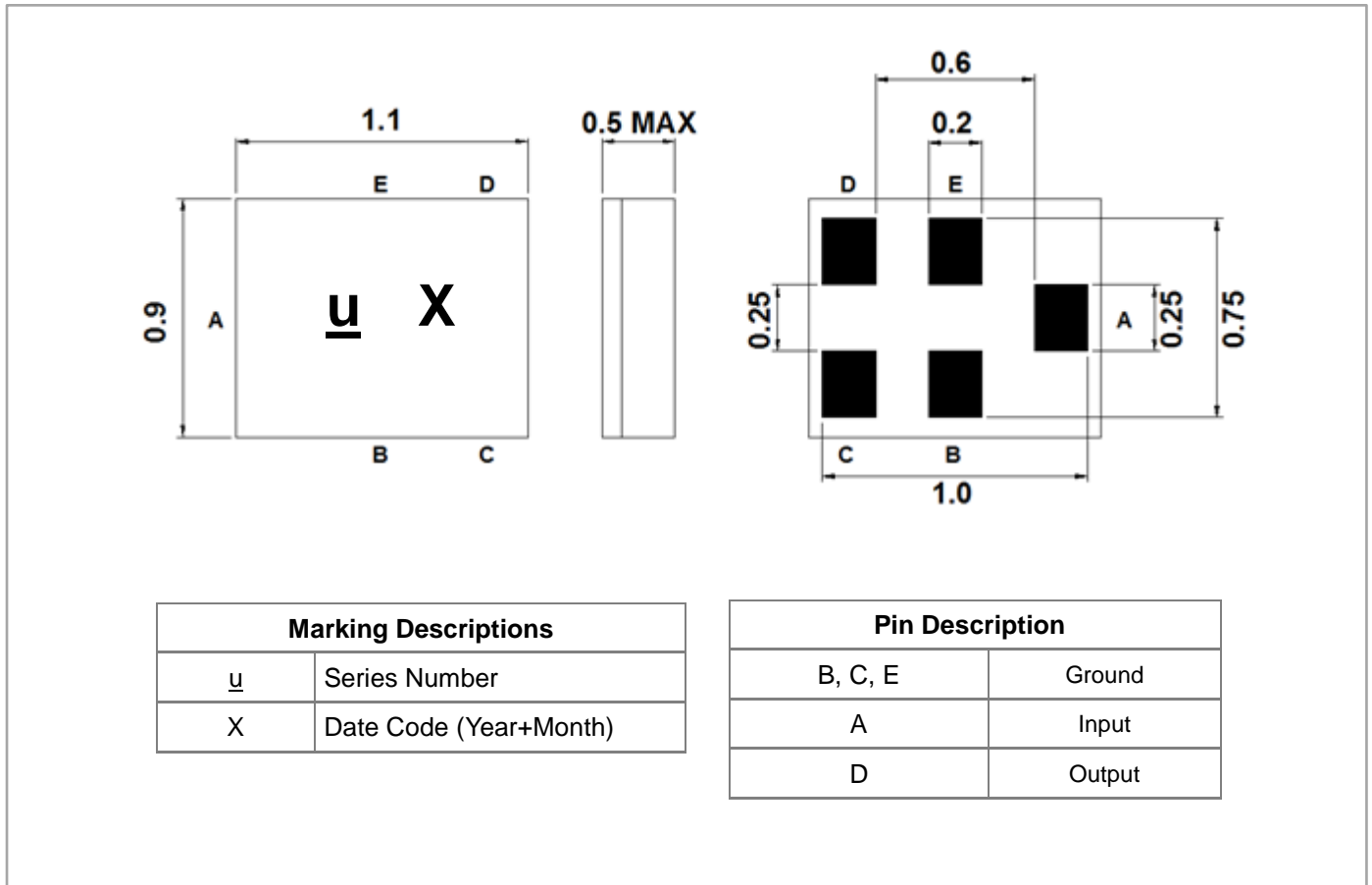
## Electrical Characteristics

MAXIMUM RATING				
PARAMETERS DESCRIPTION	UNIT	MINIMUM	TYPICAL	MAXIMUM
Operating Temperature Range	°C	-30	-	+85
Storage Temperature Range	°C	-40	-	+85
Maximum DC Voltage	V	-	-	-
Maximum Input Power	dBm	-	-	13
Source Impedance (single ended)	Ω	-	50	-
Load Impedance (single ended)	Ω	-	50	-
Package type & size	C12			
Length x Width	mm <sup>2</sup>	-	1.1 x 0.9	-
Height	mm	-	-	0.5

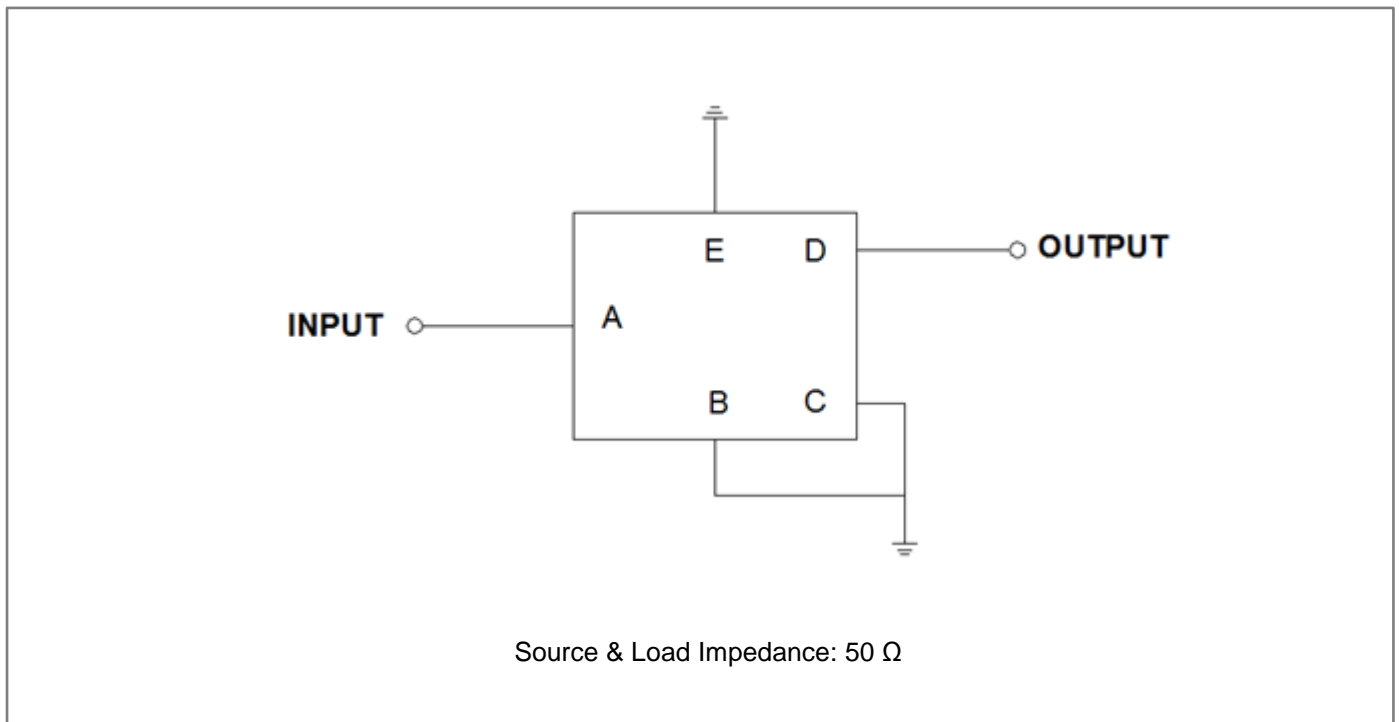
ELECTRICAL SPECIFICATION				
PARAMETERS DESCRIPTION	UNIT	MINIMUM	TYPICAL	MAXIMUM
Center Frequency (Fo)	MHz	-	1950.0	-
Insertion Loss within 1920.0 ~ 1980.0 MHz	dB	-	1.6	2.5
Amplitude Ripple within 1920.0 ~ 1980.0 MHz	dB <sub>p-p</sub>	-	1.0	2.0
<b>Attenuation:</b>				
0.1 ~ 770.0 MHz	dB	20	25	-
770.0 ~ 1570.0 MHz	dB	20	23	-
1570.0 ~ 1880.0 MHz	dB	20	23	-
2110.0 ~ 2170.0 MHz	dB	20	25	-
2170.0 ~ 2402.0 MHz	dB	20	25	-
2402.0 ~ 2480.0 MHz	dB	20	25	-
2480.0 ~ 5000.0 MHz	dB	20	25	-
5000.0 ~ 8500.0 MHz	dB	15	20	-
VSWR within 1920.0 ~ 1980.0 MHz		-	2.0	2.3

**Notes:** (1) No Matching Network (Ref. Testing Environment Circuit as shown below).

## Package Dimensions

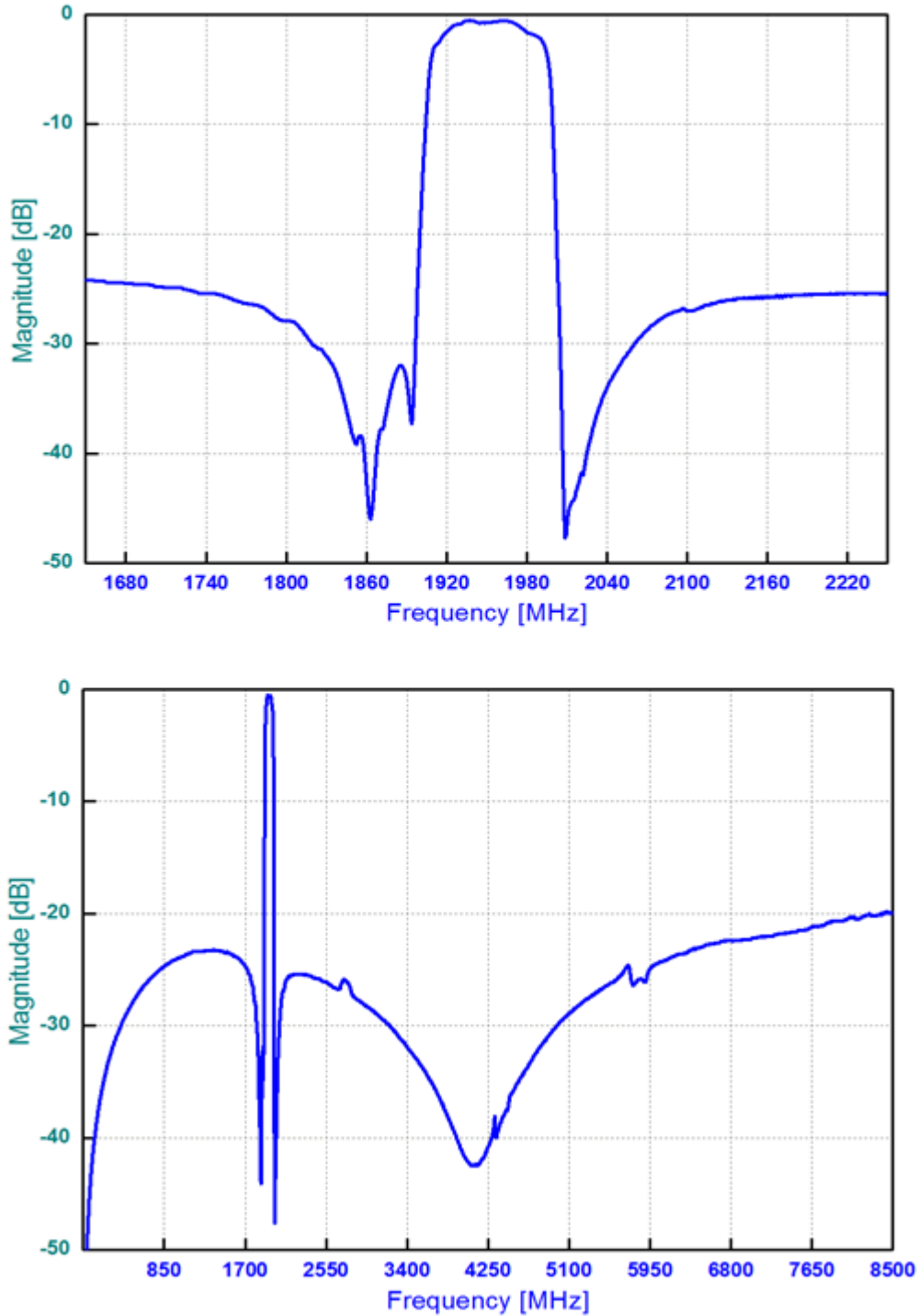


## Testing Environment

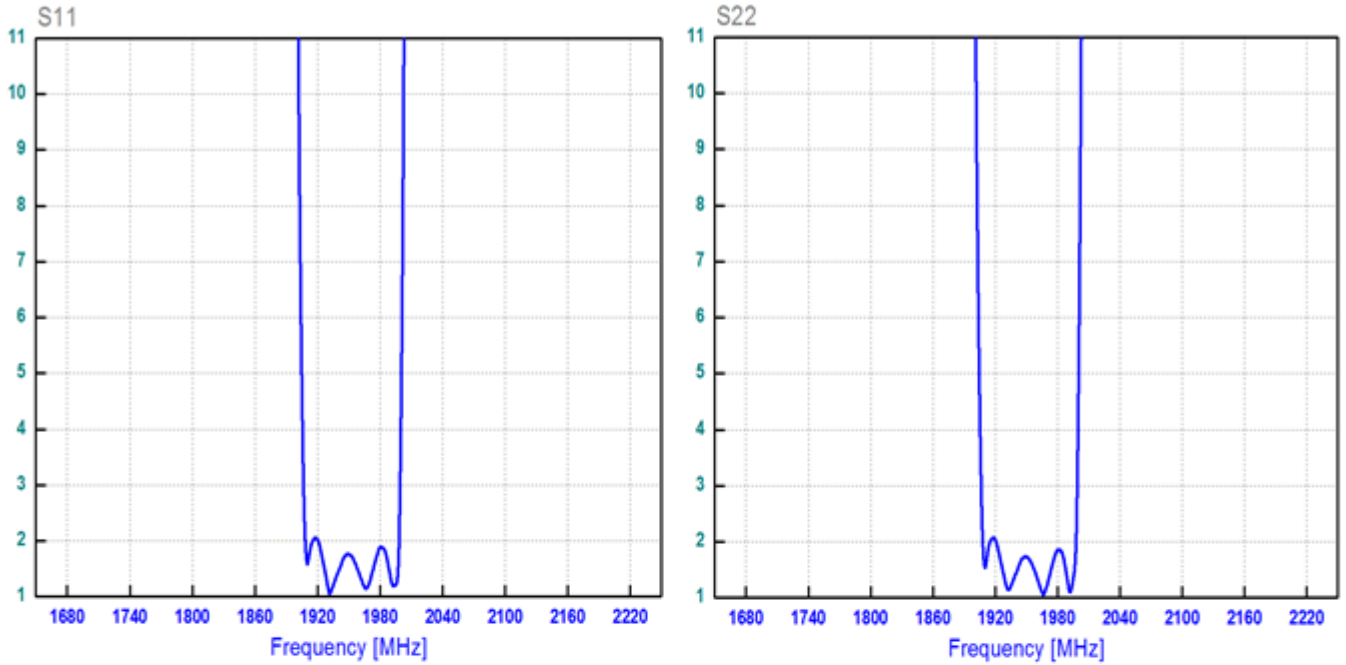


## Frequency Characteristics

Frequency Response



## VSWR



## Smith Chart

